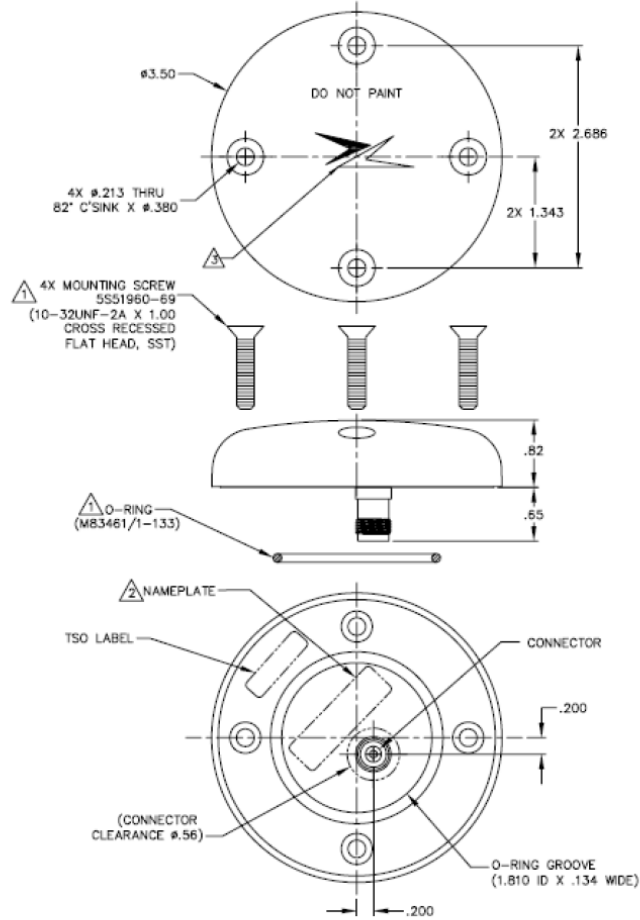


PROPRIETARY NOTICE: This document contains proprietary information of AAT Inc. neither the document nor said proprietary information shall be published, reproduced, copied, disclosed or used for any purpose other than consideration of this document without the express written permission of a duly authorized representative of said Company.

NOTES: UNLESS OTHERWISE SPECIFIED.

- 1 O-RING AND MOUNTING SCREWS, SUPPLIED BY AEROANTENNA.
- 2 LABEL SIZE, SHAPE, CONTENTS AND LOCATION ARE SUBJECT TO CHANGE WITHOUT NOTICE.
- 3 AAT LOGO OPTIONAL.
- 4. TOLERANCE: .XX = .03  
.XXX = .010



REVISIONS			
SYM	DESCRIPTION	DATE	APPROVED
A	PRODUCTION RELEASE	07/21/03	

SPECIFICATION:

FREQUENCY: 1595 ±30 MHz  
(-1.5 dB BAND WIDTH)

POLARIZATION: RIGHT HAND CIRCULAR

AXIAL RATIO: 3.0 dB MAX

RADIATION COVERAGE: 4.0 dBic  $\theta = 0^\circ$   
-1.0 dBic  $0^\circ < \theta < 75^\circ$   
-2.5 dBic  $75^\circ \leq \theta < 80^\circ$   
-4.5 dBic  $80^\circ \leq \theta < 85^\circ$   
-7.5 dBic  $\theta = 90^\circ$

IMPEDANCE: 50 OHMS

VSWR:  $\leq 2.0:1$

CONNECTOR: TNCF

WEIGHT: 8.0 OZ MAX

MATERIAL: A380 ALUMINUM ALLOY-CASTING  
ULTEM 2200 RADOME

FINISH: WHITE POLYURETHANE

ALTITUDE: 70,000'

OPERATING TEMP: -55°C TO +85°C

DESIGNED TO: DO-160D

ENV CAT: E1-ABB[CLMYU]XSFDFZAAAZYH[A3][2A]CX

T50 C-144

DO NOT SCALE THIS DRAWING	DRAWN K. RERKSAWAT	03/14/03	
ALL DIMENSIONS ARE IN INCHES DIMENSIONING & TOLERANCING PER ANSI Y14.5M-1994	CHECKED T. JEENSALUTE	04/25/03	
TOLERANCES: .XX = .03 .XXX = .010	ENGR PANIDA C.	04/28/03	TITLE
✓ SURFACE ROUGHNESS MACHINED PARTS V32 MOLDED PARTS V32	MFG D. LEVY	12/07/04	Iridium Aero Ant-White
REMOVE BURRS AND BREAK SHARP EDGES: PART TO BE CLEAN AND OIL FREE	G.A. B. RUBENI	01/29/04	SIZE B
NEXT ASSY	APPROVED G. SHAR	07/21/03	DRAWN RST719
UNLESS OTHERWISE SPECIFIED	DRAWN IN CAD		REV A
			SCALE NONE
			SHEET 1 OF