

REVISIONS			
SYM	DESCRIPTION	DATE	APPROVED
A		02/02/10	

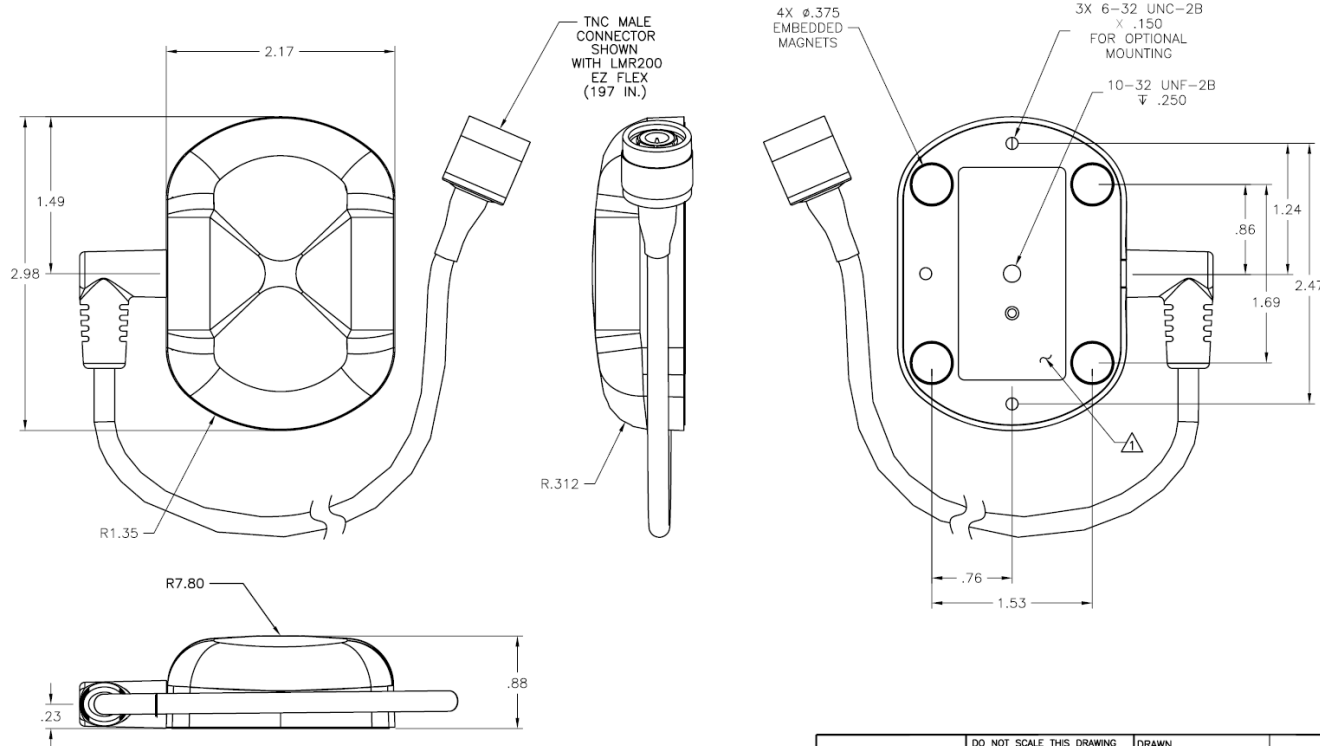


SPECIFICATION:

FREQUENCY: 1616-1626 Mhz
 POLARIZATION: RIGHT HAND CIRCULAR
 AXIAL RATIO: 3 dB MAX @ BORESIGHT

IMPEDANCE: 50 OHMS
 VSWR: ≤2.0:1

MATERIAL: RADOME-XENOY, HIGH IMPACT & TEMP.
 ALTITUDE: 20,000'
 OPERATING TEMP: -40°C TO +85°C



DO NOT SCALE THIS DRAWING	DRAWN	AARON GUTIERREZ	01/07/10
REMOVE BURRS AND BREAK SHARP EDGES:	CHECKED		
PART TO BE CLEAN AND OIL FREE			
ALL DIMENSIONS ARE IN INCHES	ENGR	STEVE VALDES	02/02/10
DIMENSIONING & TOLERANCING PER ASME Y14.5M-1994	MFG	DANNY LEVY	02/04/10
TOLERANCES:	Q.A.	BENJAMIN RUBENI	02/04/10
.XX = ±.01 FRACT = ±1/32		APPROVED	
.XXX = ±.005 ANG. = ±1/2°		YOUSI ZADEH	02/04/10
✓ SURFACE ROUGHNESS MACHINED PARTS V63	DRAWN IN	CAD	
MOLDED PARTS V32			
HOLE DIA.	TOLERANCE		
.0135 - .125	+ .004 - .001		
.126 - .250	+ .005 - .001		
.251 - .500	+ .006 - .001		
.501 - .750	+ .008 - .001		



TITLE			
RST715 - Mk2			
SIZE	CAGE CODE	DRAWING NO.	REV
B	OUVG2		A
SCALE	NONE		SHEET 1 OF 1

PROPRIETARY NOTE: This document contains information of AeroAntenna Technology Inc. (AAT). Neither the document nor said proprietary information shall be published, reproduced, copied, disclosed or used for any other purpose other than consideration of document without the express written permission of a duly authorized representative of said AeroAntenna Technology Inc.

NEXT ASSY